

WL252018 TYPE

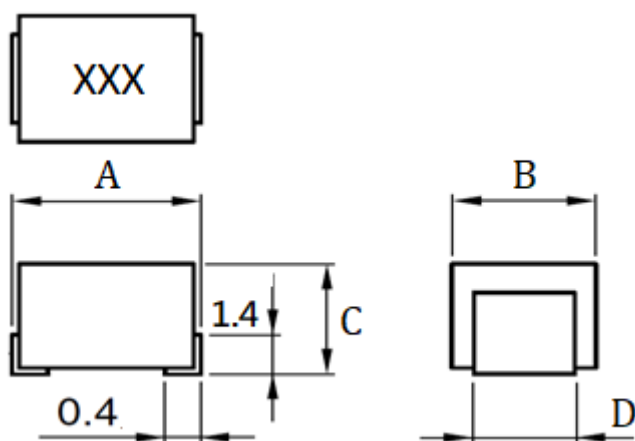
●FEATURE

1. Wire wound SMD inductors
2. Highly accurate dimensions and reliable

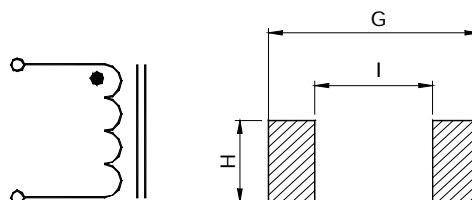
●Applications

1. Digital camera or small size LCD panel used
2. Hard Disk drives, and other electronic equipment

●Shape and Dimension



●Schematics and Land Patterns(mm)



●Specification

Dimension in m/m

TYPE	A	B	C	D	G	I	H
WL252018	2.5±0.2	2.0±0.2	1.8±0.2	1.4±0.1	3.5	1.5	1.5

Note1. Measurement frequency of Inductance value : at electrical characteristics

Note2. Measurement ambient temperature of L, DCR and IDC : at 25°C

Note3. IDC : This indicates the value of current when the inductances is 20% lower than its initial value at D.C. superimposition or D.C. current when at $\Delta t=20^{\circ}\text{C}$, which is lower. ($T_a=25^{\circ}\text{C}$)

Note4. Inductance tolerance, □: J: ±5% ; K: ±10% ; M: ±20%

Note5. Ordering Code: TYPE NAME: WL252018

Main Inductance: 100 (10uH)

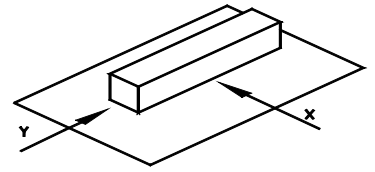
Note6. Packaging: Taping ; Quantity: WL252018: 2000 Pieces/reel

P/N	Ls (μ H)	Inductance tolerance	TEST FREQ. (MHz)	Q Min	SRF (MHz) Min	RDC (Ω) Max	IDC (mA) Max
WL252018-1R0□	1.00	K	7.96	30	150	0.75	245
WL252018-1R2□	1.20	K	7.96	30	130	0.87	230
WL252018-1R5□	1.50	K	7.96	30	120	1.00	220
WL252018-1R8□	1.80	K	7.96	30	110	1.10	210
WL252018-2R2□	2.20	K	7.96	30	105	1.30	200
WL252018-2R7□	2.70	K	7.96	30	70	1.40	195
WL252018-3R3□	3.30	K	7.96	30	55	1.60	185
WL252018-3R9□	3.90	K	7.96	30	48	1.70	180
WL252018-4R7□	4.70	K	7.96	30	43	1.90	175
WL252018-5R6□	5.60	K	7.96	30	42	2.20	170
WL252018-6R8□	6.80	K	7.96	30	39	2.40	165
WL252018-8R2□	8.20	K	7.96	30	36	2.60	160
WL252018-100□	10.0	J , K	2.52	25	33	2.20	155
WL252018-120□	12.0	J , K	2.52	25	30	2.50	150
WL252018-150□	15.0	J , K	2.52	25	26	2.80	140
WL252018-180□	18.0	J , K	2.52	25	22	3.20	130
WL252018-220□	22.0	J , K	2.52	25	21	3.60	125
WL252018-270□	27.0	J , K	2.52	25	19	4.30	115
WL252018-330□	33.0	J , K	2.52	25	17	4.70	110
WL252018-390□	39.0	J , K	2.52	25	15	8.10	85
WL252018-470□	47.0	J , K	2.52	25	14	8.80	80
WL252018-560□	56.0	J , K	2.52	25	13	10.0	75
WL252018-680□	68.0	J , K	2.52	25	12	11.5	70
WL252018-820□	82.0	J , K	2.52	25	11	12.5	65

GENERAL CHARACTERISTICS

1. Operating temperature range: -40 TO + 105°C(Includes temperature when the coil is heated)
2. External appearance: On visual inspection, the coil has no external defects.
3. Terminal strength: After soldering. Between copper plate and terminals of coil. Push in two directions of X.Y withstanding at below conditions.

Terminal should not peel off. (refer to figure at right) 0.5kg.



4. Insulating resistance: Over 100MΩ at 100V D.C. between coil and core.
5. Dielectric strength: No dielectric breakdown at 100V D.C. for 1 minute between coil and core.
6. Temperature characteristics: Inductance coefficient $(0\sim 2,000)\times 10^{-6}/^{\circ}\text{C}$ (-25~+80°C).
7. Humidity characteristics(Moisture Resistance): Inductance deviation within $\pm 5\%$, after 96 hours in 90~95% relative humidity at $40 \pm 2^{\circ}\text{C}$ and 1 hour drying under normal condition.
8. Vibration resistance: Inductance deviation within $\pm 5\%$, after vibration for 1 hour. In each of three orientations at sweep vibration (10~55~10 Hz) with 1.5mm P-P amplitudes.
9. Shock resistance: Inductance deviation within $\pm 5\%$, after being dropped once with 981m/s² (100G) shock attitude upon a rubber block method shock testing machine, in three different orientations.
10. Resistance to Soldering Heat: 260°C, 10 seconds(See attached recommend reflow)
11. Storage environment: Storage condition: Temperature Range: 10°C ~ 35°C (Generally: 21°C ~ 31°C) , Humidity Range: 50% ~ 80% RH (Generally: 65% ~ 75%) ; Transportation condition: Temperature Range: -35°C ~ 85°C , Humidity Range: 50% ~ 95% RH
12. Use components within 12 months. If 12 months or more have elapsed, check solderability before use.
13. Moisture Sensitivity Levels (MSL): Level I
14. Reflow profile recommend:

Lead-free heat endurance test

Lead-free the recommended reflow condition

